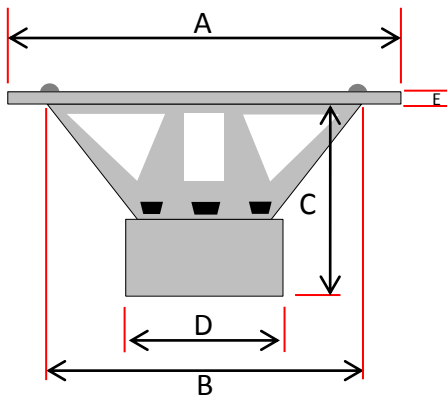




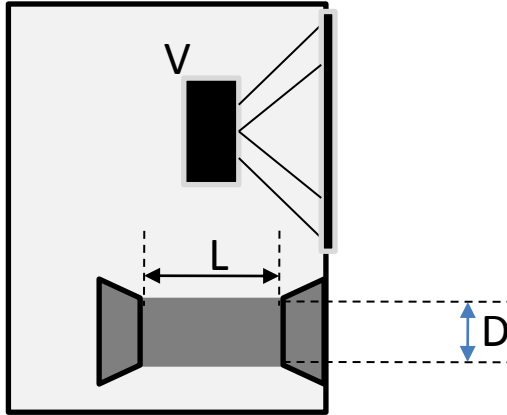
## TECHNICAL SPECIFICATIONS

Product name	GZRW 30XSPL-D1	Gasket	Foam
Product type	Subwoofer chassis	Terminal	Chrome Push Terminal
H.Art .nr.	125068	Power handling	1500 W SPL Power
Diameter	320 mm / 12.6"	Impedance	2 x 1 Ohm
Mounting diameter	283 mm / 11.14"	Re	1.91 Ohm
Mounting depth	159 mm / 6.26"	Res	17.23 Ohm
Magnet dimension	2 x 170 x 20 mm	FS	39.2 Hz
Total weight	8,7 KG	Qms	5.543
Voice coil diameter	75 mm / 3 " Round Wire	Qes	0.616
Voice coil winding height	35 mm / 1.38"	Qts	0.554
Voice coil wire material	Copper	Rms	14.031 kg/s
Voice coil former material	Aluminum	Cms	0.052 mm/N
Top plate height	10 mm / 0.3937"	Mms	315.79
Linear excursion (one direction)	12,5 mm / 0.49 "	BL	15.549
Effective Xmax	40 mm / 1.57"	SPL	86 dB
Top Plate and T-Yoke color	Black	VAS	20.19L / 0.71 cu.ft
Basket material	Steel	Le	1,842 mH
Basket color	Yellow	Recommended freq. response	35 – 100 Hz
Spider	2-Layer Polycot	Recommended amplifier power	800 – 1500 WRMS @ 2 Ohm (0.5 Ohm)
Surround	High Roll Sandwich	Sound Quality	☺☺ (max. ☺☺☺☺☺☺)
Cone	Reinforced paper	SPL Competition	☺☺☺☺ (max. ☺☺☺☺☺☺)
Dustcap	Convex IMPP with 3D Logo	Low bass performance 20-50Hz	☺☺☺ (max. ☺☺☺☺☺☺)
Magnetcover	Rubberboot	Mid bass performance 50-80Hz	☺☺☺ (max. ☺☺☺☺☺☺)



A	320 mm / 12.6"
B	283 mm / 11.14"
C	159 mm / 6.26"
D	175 mm / 6.89"
E	16 mm / 0.63"



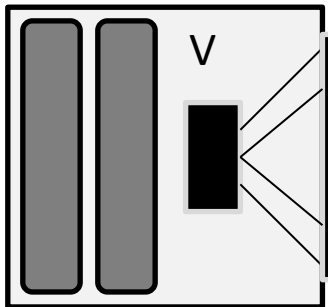
**BOX RECOMMENDATION**

**Medium size vented box**

V: 60L / 2.11 cu.ft

D: 1x 160 mm / 6"

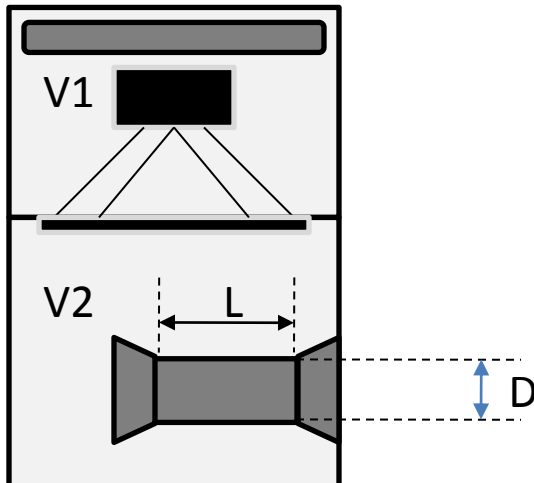
L: 1x 300 mm / 12"

No damping


**Small size sealed box**

V: 15 – 40L / 0.53 – 1.41 cu.ft

40 - 60% Polyester wool


**Medium size bandpassbox**

V1: 20 L / 0.706 cu.ft

V2: 40 L / 1.41 cu.ft

D: 2x 100 mm / 4"

L: 2x 270 mm / 10.63"

Center Freq.: 58Hz

Bandwidth (-3dB): 35 – 92 Hz

20% polyester wool in V1

No damping in V2

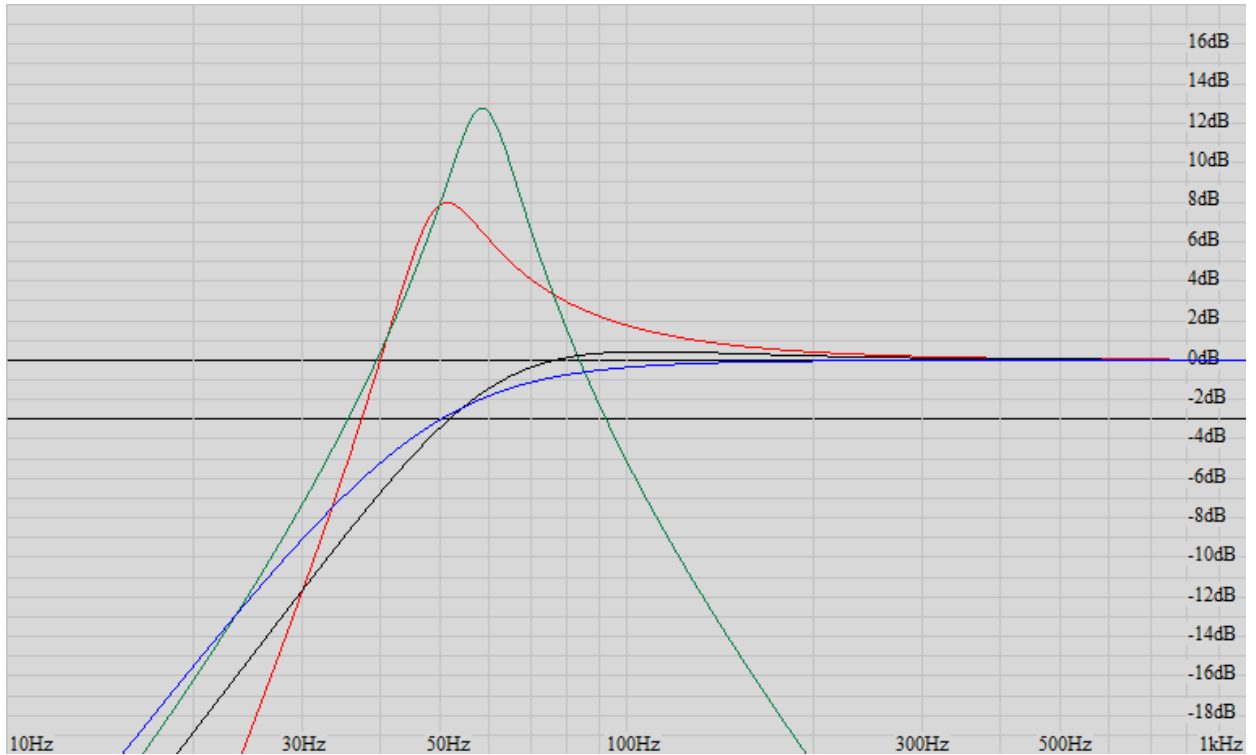
Die hier aufgeführten Gehäusevorschläge sind nur einige, der möglichen Varianten.

Bitte beachten Sie zudem, dass die finale Abstimmung, speziell die Port Längen je nach Fahrzeug und eigenem Geschmack variiert werden sollte.

*Above-mentioned enclosure recommendations are just a few possible variations.*

*Please note that you should find the perfect tuning, especially port length, based on your car and own taste.*



**BOX RECOMMENDATION**


<b>Bassreflex / Vented</b> (Rot / Red)	60 Liter netto / 2.11 cu.ft. net
Port	1 x 16 cm / 1 x 6"
Portlänge / Length*	30 cm / 12"
Fb / F3	48 Hz / 37 Hz

<b>Geschlossen / Sealed</b>	15 – 40 Liter netto / 0.53 – 1.41 cu.ft. net
Minimum Volume (Schwarz / Black)	Min. 15 Liter netto / Min. 0.53 cu.ft. net
Qtc / F3	0.85 / 52 Hz
Maximum Volume (Blau / Blue)	Max. 40 Liter netto / Max. 1.41 cu.ft. net
Qtc / F3	0.68 / 50 Hz

<b>Bandpass 4 th order</b> (Grün / Green)	20 Liter netto geschlossen / 0.706 cu.ft. net sealed 40 Liter netto ventiliert / 1.41 cu.ft. net vented
Port	2 x 10 cm / 4"
Portlänge / Length*	27 cm / 10.63"
Fb	58 Hz
Bandbreite / Bandwidth (-3dB)	35 – 92 Hz

Die hier aufgeführten Gehäusevorschläge sind nur einige, der möglichen Varianten.  
 Bitte beachten Sie zudem, dass die finale Abstimmung, speziell die Port Längen je nach Fahrzeug und eigenem Geschmack variiert werden sollte.  
*Above-mentioned enclosure recommendations are just a few possible variations.  
 Please note that you should find the perfect tuning, especially port length, based on your car and own taste.*

